



Heavy-duty camera MC3000B

There are no visibility issues the MC3000B with its anodised and coated aluminium housing cannot handle in robust, heavy-duty applications and under extreme weather and environmental conditions. Its numerous available view angles and plug connections make it the perfect choice for a wide range of applications in utility vehicles and mobile machinery.

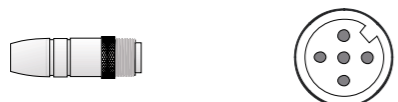
The MC3000B's mechanical and electric layout is ideally suited for rough conditions in heavy-duty applications, and the device is pressure washer-proof in accordance with IP69K to guarantee a long service life and reliability. The energy-efficient automotive CMOS sensor delivers excellent image quality even in difficult lighting conditions. The automatically controlled screen heater ensures perfect visibility at low temperatures – quality "Made in Germany".

Key facts

- Suitable for heavy-duty applications
- Immersion and jet cleaning-proof (IP68 and IP69K)
- Operating and storage temperature -60 °C...+85 °C
- 2.5 W screen heater
- Automotive CMOS sensor
- 20°, 40°, 70°, 90°, 100° and 115° horizontal view angle (other view angles on request)
- On-board network integration capability, 9 V...32 V DC
- Made in Germany

Plug connection

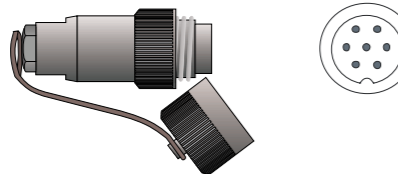
M12/5 pole,
Code A



Mini DIN/4 pole



RD24/7 pole



M16/KSB423

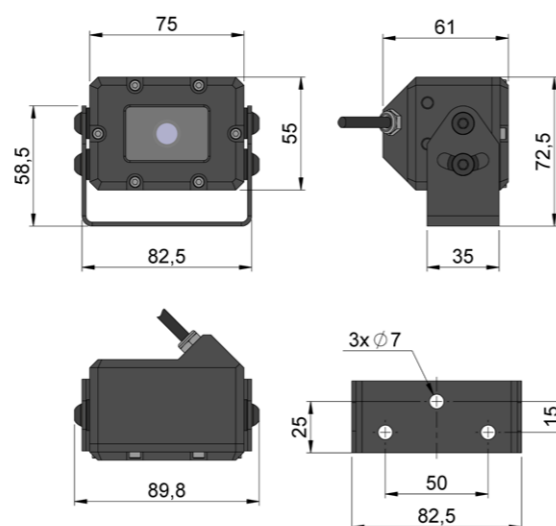


Standards/certificates/quality seals

- EN 13309 construction machinery
- ISO 13766 earth-moving equipment
- EN 14982 agricultural/forestry machinery
- EN 12895 industrial trucks
- EN 50121 railway applications
- ADR



Dimensions in mm



Technical data

Image sensor

Energy efficient automotive CMOS sensor (1/4", 350,000 pixels, active PAL resolution H 640 x V 480) with many intelligent functions, including automatic white balance and automatic exposure and brightness control. Error recognition and pixel error correction, flicker suppression, high dynamic scope (75 dB), high S/N ratio (46 dB), and high light sensitivity (< 0,05 lux), programmable overlay and distortion correction available

Visualisation

20°, 40°, 70°, 90°, 100° and 115° horizontal view angle (dep. on model, other view angles on request), corresponds to 24°, 47°, 87,5°, 112,5°, 125° or 144° diagonal view angle, mirror capability via voltage signal (permanently mirrored version available)

Housing protection class

Immersion and jet cleaning-proof (IP68 and IP69K) in accordance with ISO 20653 and IEC 60529

Power supply

On-board network integration capability, 9 V...32 V DC

Electrical interference resistance

Interference-resistant electrical layout in accordance with the following industry standards: EN 13309, EN 14982, EN 50121, EN 55022, EN 61000, ISO 11452, and ISO 13766

Operating and storage temperature

-60 °C...+85 °C

Housing

Robust aluminium housing, anodised and coated for added weather resistance, corrosion and salt spray resistant in accordance with DIN 60068, resistant against direct sunlight (UV-resistant in accordance with DIN 75220), acid and baseresistant in accordance with test plan

Mechanical resistance

Particularly robust mechanical design, specifically suited for heavy-duty applications, shock resistant up to 50 g, continuous shock 30 g, 5 g vibration resistant in accordance with DIN EN 60068

Power consumption

Eco-friendly, energy efficient switchgear with < 0.5 W (with inactive heating) and < 3.0 W (with active heating)

Screen heating

Winter-proof with automatically controlled 2.5 W screen heater to prevent ice formation, frost, and fogging up, active at temperatures below +5°C

Connection cable

0,7 m molded, water-tight plug (IP67 when plugged in)

Weight

0,4 kg

Package contents

MC3000B heavy-duty camera	404 061x 0xx
Bracket set	406 0083 000
Operating instructions	103 0000 149

Horizontal view angle

Schematic diagram

