



Heavy-duty camera MC7000P-E

Whether as wayside monitoring, mirror substitute or surveillance of working areas - the compact design makes the MC7000 camera series the perfect choice for a wide range of applications. The robust and weatherproof plastic housing enables the use in even the most difficult conditions.



Key facts

- State-of-the-art image electronics (CMOS image sensor)
- High shock and vibration resistance
- High sensitivity to light
- Sharp and high-contrast images
- Highest protection class IP69K

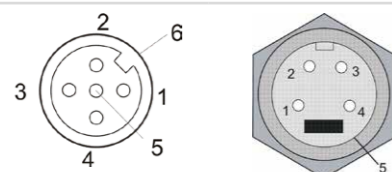
Standards/certificates/quality/seals

- EN 13309 construction machinery
- ISO 13766 earth-moving equipment
- EN 14982 agricultural/forestry machinery
- EN 12895 industrial trucks
- EN 50121 railway applications

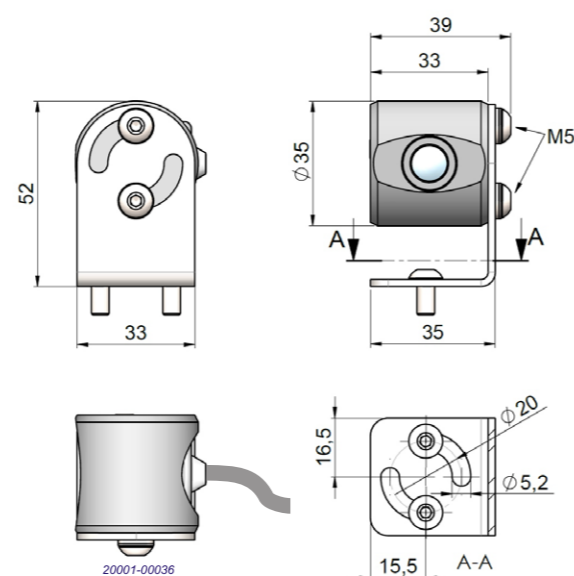


Plug connection

	M12/5-pin, Code A (male)	Mini Din M14x1/4p (male)
Horizontal angle of view	70°, 90°, 115°	90°, 115°
Pin	Signal	
1	Video-signal	Video-signal
2	Mirror	Mirror
3	+V DC	Shutter
4	GND	+V DC
5	Video GND	Video GND/GND
6	Shield	



Dimensions (mm)



Technical data

Image sensor

Energy efficient automotive CMOS sensor (1/4", 350.000 pixels, active PAL resolution H 640 x V 480) with many intelligent functions, including automatic white balance and automatic exposure and brightness control. Error recognition and pixel error correction, flicker suppression, high dynamic scope (75 dB), high S/N ratio (46 dB), and high light sensitivity (< 0,2 lux), programmable overlays available

Visualisation

70°, 90° and 115° horizontal view angle (depending on model), corresponds to 87.5°, 112.5°, 144° diagonal view angle

Housing protection class

Immersion and jet cleaning-proof (IP69K) in accordance with ISO 20653 and IEC 60529

Power supply

9 V...16 V DC

Electrical interference resistance

Interference-resistant electrical layout in accordance with the following industry standards: EN 13309, EN 14982, EN 50121, EN 55022, EN 61000, ISO 11452 and ISO 13766

Weight

Ca. 0,25 kg

Operating temperature

-35°C...+65°C

Storing temperature

-40°C...+85°C

Housing

Robust stainless steel housing for added weather resistance, corrosion and salt spray resistant in accordance with DIN 60068, resistant against direct sunlight (UV-resistant in accordance with DIN 75220), acid and baseresistant in accordance with test plan

Mechanical resistance

Particularly robust mechanical design, specifically suited for heavy-duty applications, shock resistant up to 50 g, shake-resistant up to 10 g (11 ms) and vibration-proof in accordance with DIN EN 60068

Connection cable

0,7 m molded, water-tight M12/5 pol or Mini DIN/4 pol plug

Package contents

Heavy-duty Kamera MC7000P	404 0710 xxx
MC7000-MH2, Mounting Bracket	406 0202 000
Operating instruction	103 0000 126

Horizontal angle of view

Schematic diagram

