



Mobile Vicinity Scout

Heavy-duty 270° / 360° camera system for forklifts

Mobile Vicinity Scout

270° / 360° system on a forklift



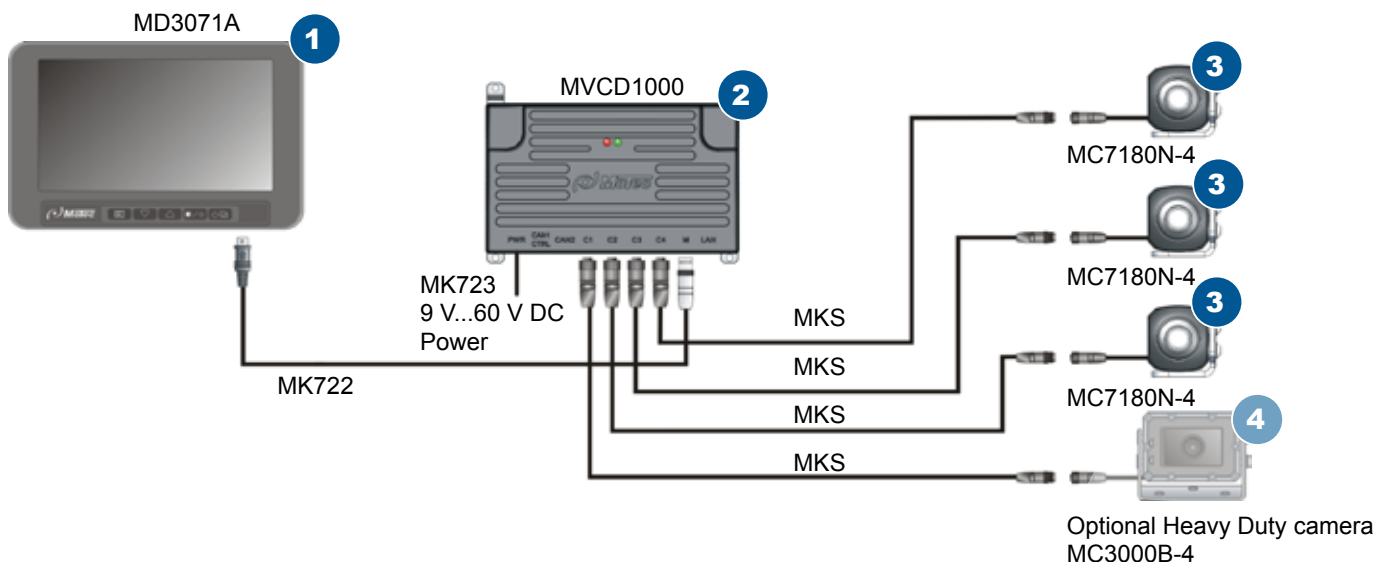
The Motec Mobile Vicinity Scout (MVS) is a camera system especially designed for forklifts. It provides the driver with a clear, seamless 270° or 360° view around his vehicle, thereby saving lives, helping people, and reducing costs.

- Easy Manoeuvring:** Via 360° bird's eye view in tight spots with ease and without leaving the vehicle
- Safe Starts:** Quickly and reliably see any obstacle in the close vicinity of the forklift
- Parking with perfect view:** No chance of blind spots – pre-empting costly material damage
- Turning corners safely:** Recognise dangerous turning situations even in difficult situations

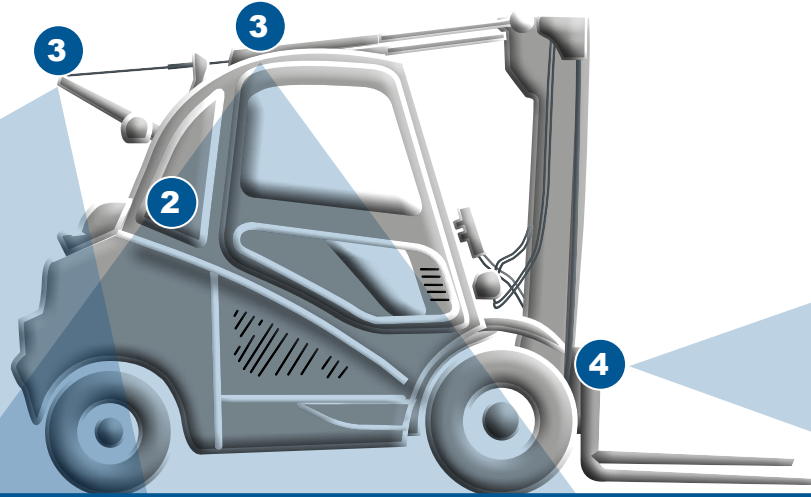
System characteristics

- Crystal clear, intuitive bird's eye perspective of the vehicle's surroundings
- Specially developed for heavy-duty applications and forklift vehicles – flexible, adaptable, reliable
- Customised dynamic overlays
- Addition of ultrasonic or radar sensors possible
- Simple end-of-line and in-field calibration
- Can be integrated into the electronic system of the vehicle by way of various types of interfaces (Ethernet, CAN bus, control cables)
- Screen configuration customisable (split screen) via the user menu

270° system drawing



270° system example



MD3071A
heavy-duty monitor

1



MVCD1000
video control unit

2



MC7180N
180° camera

3



MC3000B-4
heavy-duty camera

4



1 MD3071A monitor

- 7" monitor (17.8 cm diagonal)
- PAL/NTSC video system
- Supply voltage of 9 V to 60 V DC
- Ingress protection rating IP30
- Operating and storage temperature -30 °C...+85 °C

2 MVCD1000 video control unit

- Supports up to 4 cameras
- Ingress protection rating IP65 and IP68
- CAN bus, control line and Ethernet interface
- Shock resistance 10 g
- Operating and storage temperature -40 °C...+85 °C

3 MC7180N 180° camera

- Robust aluminium housing
- Ingress protection rating IP69K
- CMOS 1/3" image sensor with a sensor resolution of 648 x 488 pixels
- 180° horizontal viewing angle
- Module heater for sensor and camera glass
- Operating and storage temperature -40 °C...+85 °C

4 MC3000B-4 camera

- Robust aluminium housing
- Ingress protection rating IP68 and IP69K
- CMOS 1/4" image sensor with a sensor resolution of 640 x 480 pixels
- 20°, 40°, 70°, 90°, 100° and 115° horizontal viewing angle
- shock- and permanently shock-resistant up to 50 g
- Operating and storage temperature -60 °C...+85 °C

Motec GmbH
Oberweyerer Straße 21
65589 Hadamar-Steinbach
GERMANY

Phone +49 6433 9145-0
Fax +49 6433 9145-45
info@motec-cameras.com
www.motec-cameras.com